

Connectivity.Assured

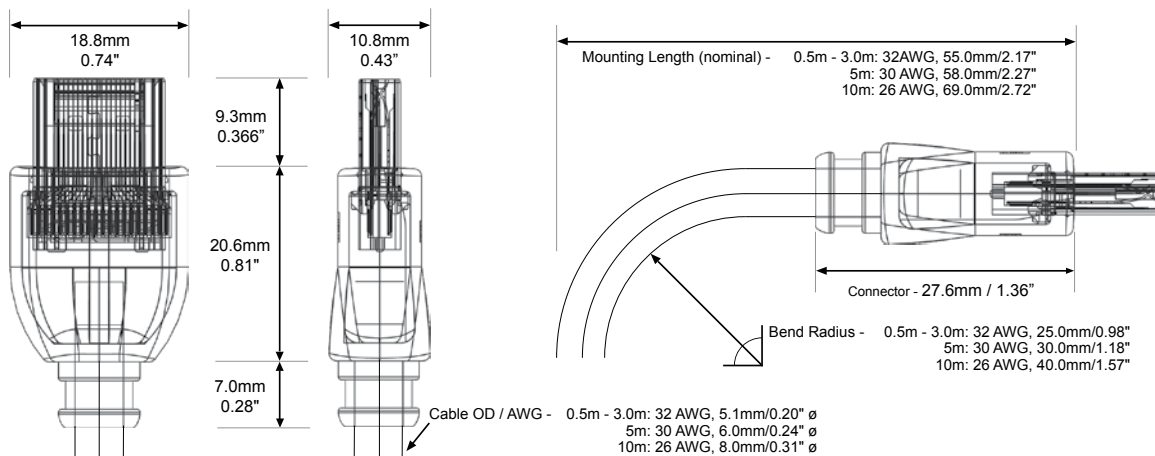
ONE Bulk Packaged HDMI® Cable

Kordz ONE series is everything you come to expect from Kordz but now available in a bulk packaged form. ONE is flexible, compact and certified for your HDMI plug & play requirements. Each cable is individually tested as part of our strict production process, giving us the confidence to offer you our Lifetime Guarantee.

- Engineered and constructed to ensure installation success and ease
- High Speed with Ethernet in lengths to 3m (9'10") for 2160p (4K) support
- Standard with Ethernet with operational support to 1080p/60 up to 10m (32'9")
- Induction soldered pin transitions for benchmark inter-terminal uniformity
- PVC boot shell assembly with folded nickel plated HDMI connector
- 100% of units tested on the production line for electrical continuity on all pins, with 1080p/60 application test
- Limited lifetime warranty



Technical Specifications		
HDMI Certification	≤ 3.0m Lengths	5.0m - 10.0m Lengths
HDMI CTS (Certified Test Specification)	High Speed with Ethernet	Standard with Ethernet
Certified Data Rate	3.4Gbps, 10.2Gbps agg	0.7425Gbps, 2.25Gbps agg.
Supported Data Rate	≥ 3.4Gbps (4K UHD)	≥1.485Gbps (1080p/60)
HDMI Clock	27-340MHz	27-148.5MHz
Construction		
Primary Conductors	Solid 32-26AWG OFC, length dependent	
Insulation	TMDS	Polyolefin / Foamed PE / PE, length dependent
	4C + HEAC Pairs	Polyolefin / Foamed PE / HDPE, length dependent
Shielding	TDMS Pairs	Al / Mylar
	Overall	AL/Mylar + AL braid 80% coverage
Cable Jacket	PVC - ≤ 3.0m Lengths / UL CMG-Rated - 5.0m - 10.0m Lengths	
HDMI Connector Shell	PVC Injection moulded, Nickel-plated Connector Plate	
HDMI Connector Pins	Solid OFC, 15µ" 24K Gold plated	
Termination	Contactless IR induction soldering	
Strain Relief	PVC boot strain relief	
Mechanical		
Cable Diameter	cable gauge dependent (see below)	
Mounting Depth	cable gauge dependent (see below)	
Cable Bend Radius	cable gauge dependent (see below)	
Retention Force (nom)	< 9.9N (1kg / 2.2lbs) +10/-5%	



ONE Bulk Packaged HDMI® Cable

Application Specifications	
Video Format Support	Data rate per channel / Aggregate, TMDS Bandwidth
All Lengths	
480i/p, 576i/p	≤ 540Mbps/1.62Gbps, 270MHz
720p/60, 1080i/60	742.5Mbps/2.22Gbps, 371.25MHz
1080p - 8-bit RGB/YCbCr 4:4:4, 10/12-bit 4:2:2 or 4:2:0	
23.98/24/29.97/30	742.5Mbps/2.22Gbps, 371.25MHz
50/59.94/60	148.5Mbps/4.455Gbps, 742.5MHz
3D-24/30	148.5Mbps/4.455Gbps, 742.5MHz
3D-50/60	2.97Gbps/8.91Gbps, 1.485GHz
Lengths to 3m only - High Speed	
1080p - 10/12/16-bit RGB/YCbCr 4:4:4 - 50/59.94/60fps	max. 2.97Gbps/8.91Gbps, 1.485GHz
2160p (UHD/4K)	
HDMI 1.4b - 8-bit RGB/YCbCr 4:4:4, 10/12-bit 4:2:2 or 4:2:0	
4096x2160p/24 (SMPTE)	2.97Gbps/8.91Gbps, 1.485GHz
3840x2160p/23.98/24/29.97/30	2.97Gbps/8.91Gbps, 1.485GHz
HDMI 2.0 - 8-bit YCbCr 4:2:0 - 2160p*/50/59.94/60	
	2.97Gbps/8.91Gbps, 1.485GHz
VESA Graphics	Supports all as defined by HDMI 2.0 specification, up to 8.91Gbps
Color Spaces	RGB, YCbCr, xvYCC, Adobe sRGB, sYCC601, ITU-BT.2020
Audio Formats Support	PCM 2.0-7.1, DD/DTS HD 7.1, 3D Audio (10.2 22.2 30.2ch)
3D Audio (10.2 / 22.2 / 30.2ch)	Supported - device & video format dependant
HDMI Ethernet Channel	Supported - system dependant
HDMI Audio Return Channel	Supported - system dependant
<i>* HDMI 2.0 2160p modes encapsulate both 4,096 or 3,840 Hres variants & 4:3 anamorphic pixel ratio support</i>	

Commercial Range Comparison Features	ONE	PRO	PRS ³	R.3
1080p60 On all Lengths	✓	✓	✓	✓
4K24 4:2:2 HDR12	to 3m	to 5m	✓	✓
4K60 4:4:4 8 Bit			✓	✓
10.2 Gbps Guaranteed Bandwidth	to 3m	to 5m	✓	✓
18.0 Gbps Guaranteed Bandwidth			✓	✓
Connector Retention Force	<1kg	1kg	3kg*	2kg
Dual wrap Al/Mylar + industry leading 90% coverage copper braid shield				✓
DPL Labs Certified			✓	✓
THX Certified				✓
Lifetime Warranty	✓	✓	✓**	✓
Jacket Material - fire rating		UL CMG	UL CMG***	LSZH
* 1kg Retention Force on the AOC HDMI Cable ** 5 Year Warranty on All Active Cables ***Available in LSZH on AOC Cables Only				

Part No:	Length	AWG	Technology	Max Video Resolution	Ctn Qty	Ctn Weight Kgs
K16041-0050-CH	0.5m 1' 7"	32	Passive	2160p (UHD 4K)	120	4.26
K16041-0100-CH	1.0m 3' 3"	32	Passive	2160p (UHD 4K)	100	5.22
K16041-0200-CH	2.0m 6' 6"	32	Passive	2160p (UHD 4K)	72	6.07
K16041-0300-CH	3.0m 9' 10"	32	Passive	2160p (UHD 4K)	56	6.50
K16041-0500-CH	5.0m 16' 4"	30	Passive	1080p/60	36	8.35
K16041-1000-CH	5.0m 16' 4"	26	Passive	1080p/60	12	9.05

Kordz products are sold with a limited warranty as outlined at: www.kordz.com

©2019 Kordz International. All rights reserved. Kordz Connectivity, Assured & Kordz range logos are trademarks or registered trademarks of Kordz International in Hong Kong and in other countries.

All other trademarks are the property of their respective owners.